



TERMA
SINCE 1990

PICTOR

USER GUIDE

V.1.0.R7

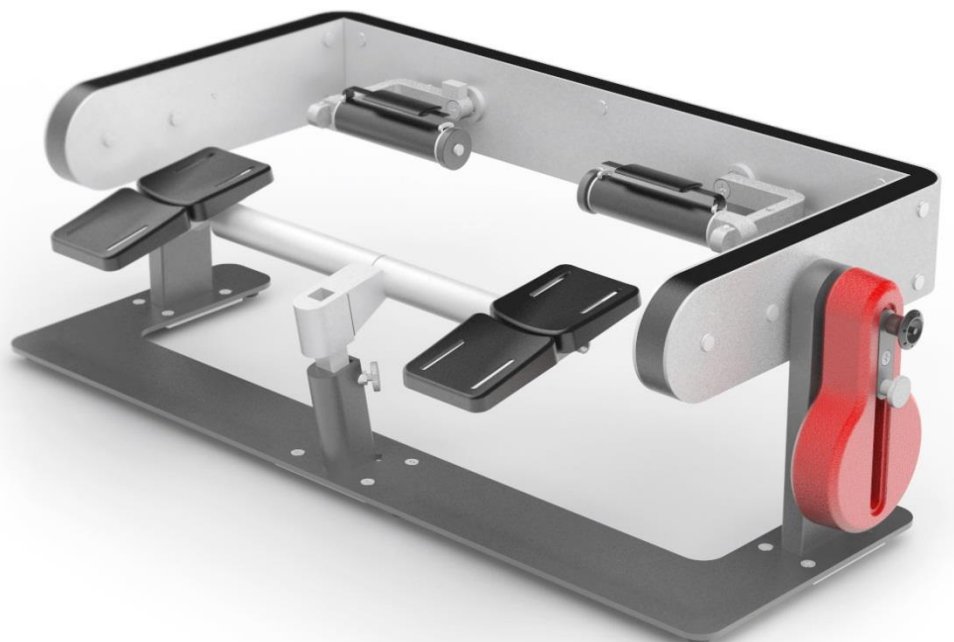




Table of contents

1. Introduction	4
2. Explanation of symbols	5
3. Description of the device structure	5
4. Device setup	8
5. Advised exercises	9
6. Warnings	12
7. Contraindications and recommendations	12
8. Technical details	13
9. Warranty	13
10. Incident application form	15



1. INTRODUCTION

Wishing you satisfaction of PICTOR usage, we thank you for your choice.

PICTOR device is a response for the patients who are suffering from the wrist and elbow dysfunctions. Due to its adaptivity it enables to perform three independent movements: flexion and extension, abduction and adduction of the wrist and rotation of the elbow. Construction of PICTOR device enables the complex rehabilitation of the wrist based on self-assisted, active and resistance exercises.

This manual provides all the needed information concerning PICTOR device proper functioning.

The manufacturer is entitled to change the content of the manual when it's needed. The updated version of the manual will be available to download from the manufacturer's website www.termamed.pl from the "Downloads" section.

Manufacturer:

Terma Sp. z o.o.
80-298 Gdańsk
Czaple 100
T: +48 58 694 06 04
F: +48 58 695 05 06
email: termamed@termamed.pl
www.termamed.pl

2. EXPLANATION OF SYMBOLS

It is mandatory to read the safety statements before using the device. The safety statements are classified as follows:



Safety warnings and essential usage details.



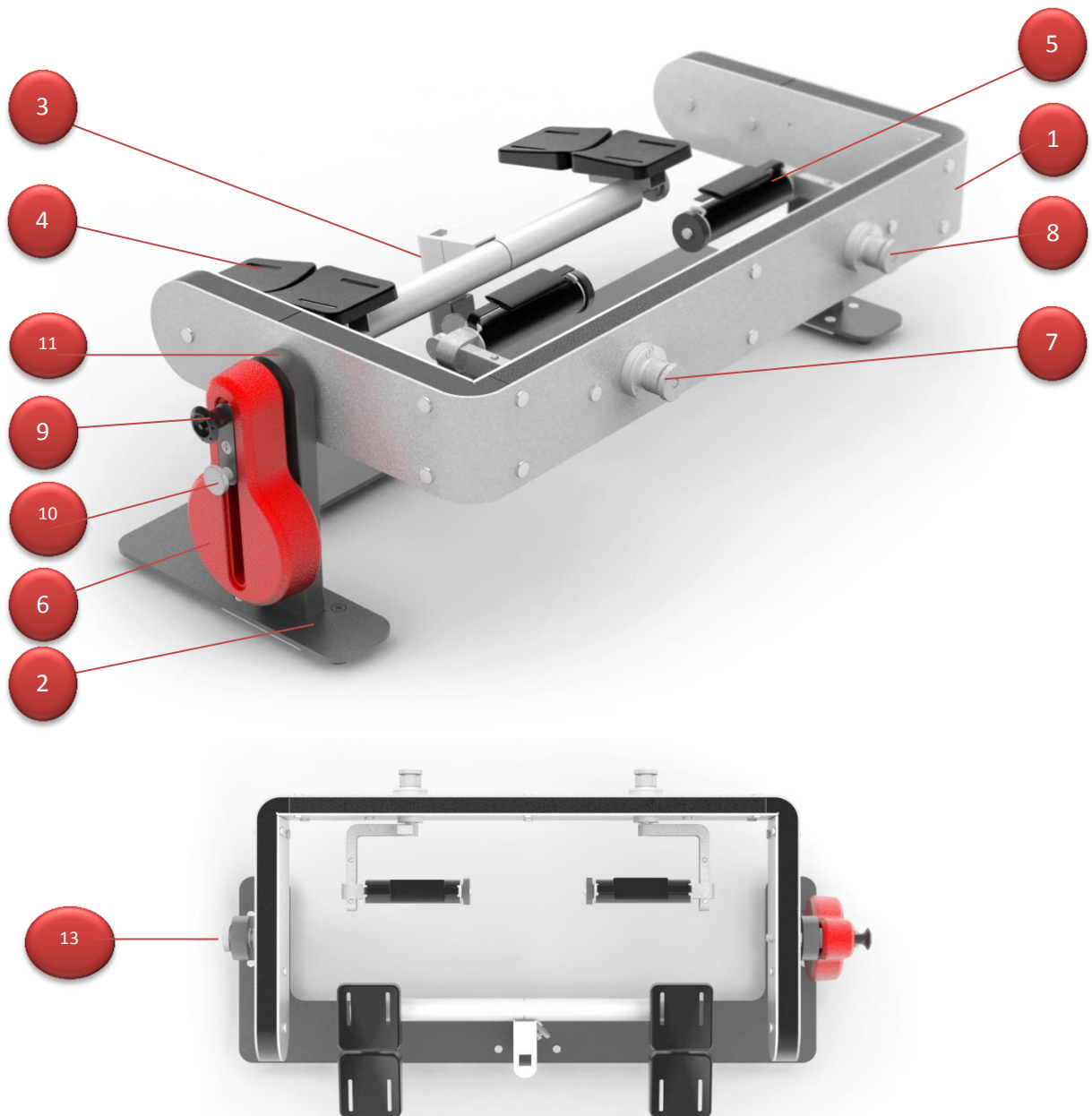
Safety of exploitation warnings. Unless followed, may result in minor personal injury and/or product/property damage.



Mark of the active part of the device described on the illustrated scheme and explained in table.

3. DESCRIPTION OF THE DEVICE STRUCTURE

Versatility of PICTOR possible settings enables to perform the therapy of various dysfunctions of wrist joint. The structure of the device is explained on the model below.

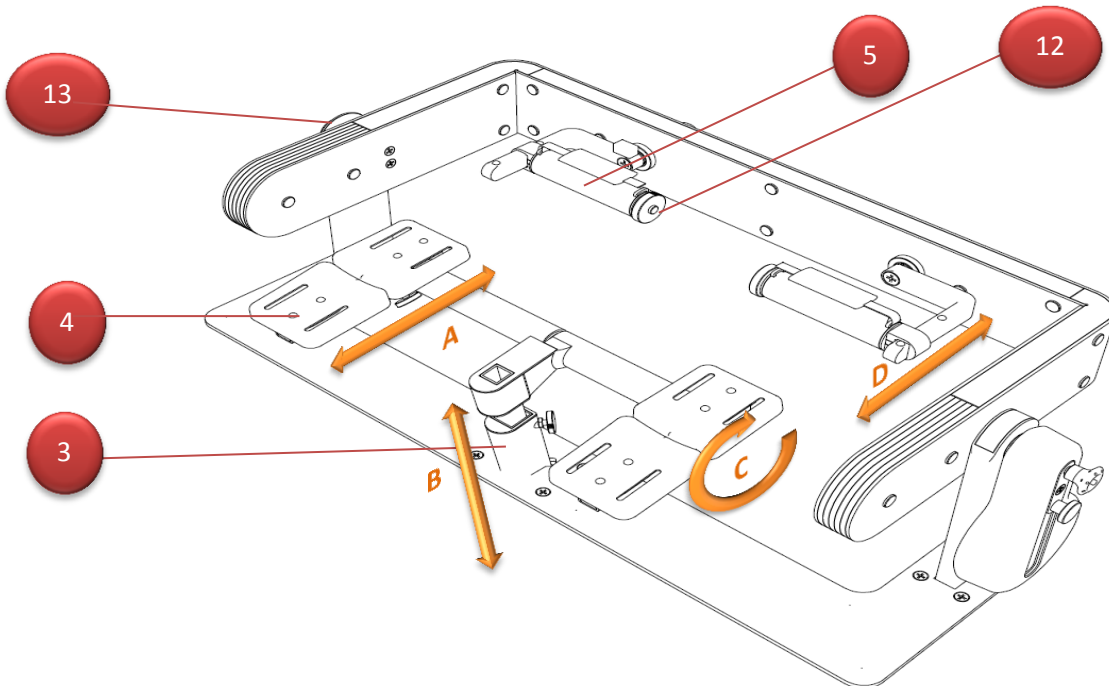


The list of components:

1	Horizontal frame	Adaptive, functional element which enables performance of all exercises.
2	Base frame	Base which enables to attach other components.
3	Forearm crane	Adaptive element (regulation of height and the inclination angle) that enables precise forearms placing in the device structure.
4	Forearm pads	Adaptive element that adjusts the extension of the forearm pads to set the upper limbs precisely in the device structure.
5	Handles	Ergonomic grip to perform therapeutic process.
6	Weight	Adaptive element that enables due to variable geometry to define proper weight for therapeutic process.
7	Positioning knob (1)	The knob that enables to block the abduction and adduction of the handle axis.
8	Socket (1)	An element that enables to attach the weight (6) to the horizontal frame (1) during rotation resistance exercises of the forearm.
9	Positioning pin	An element positioning the weight in one of two sockets.
10	Positioning knob (2)	An element that enables to adjust the weight through various positions of the weight.
11	Socket (2)	An element that enables to attach the weight (6) during flexion and extension resistance exercises as well as abduction and adduction of the wrists.
12	Positioning knob(3)	A knob that adjusts the position of the handle (5).
13	Positioning knob (4)	An element locking the position of the horizontal frame (1) in the defined place.

4. DEVICE SETUP

The device reaches the Customer not demanding any special setup activities to begin the operation. The device is adaptive due to the multifunctional features and customizable structure.



- Spacing of forearm pads to adjust them to the length of the forearm (A) can be achieved due to the knobs located under the pads (4).
- Adjusting the height (B) is achieved by height positioning of the forearm crane (3).
- Adjusting the angle of the forearm pad towards the base (C) is performed through the release of the knob under the right pad.
- To change the space between the handle and the frame to adjust to certain dimensions (5) is performed by positioning knob (12).



Adjusting the device should be performed with the positioning knob locked (13). The device should be adjusted precisely to cover the patient's anatomical axes of joints.

5. ADVISED EXERCISES

PICTOR device enables abduction, adduction, flexion and extension of the wrists together with rotation of the forearms performed as self-assisted, active and resistance exercises.

5.1. Flexion, extension, abduction and adduction of the wrist:

- Adjust the forepads (check point 4).
- Release the positioning knob (13).
- Lock the positioning knob (7).
- To perform self-assisted exercises the weight must be detached (6).
- To perform resistance exercises the weight needs to be attached (6) to the socket (11).



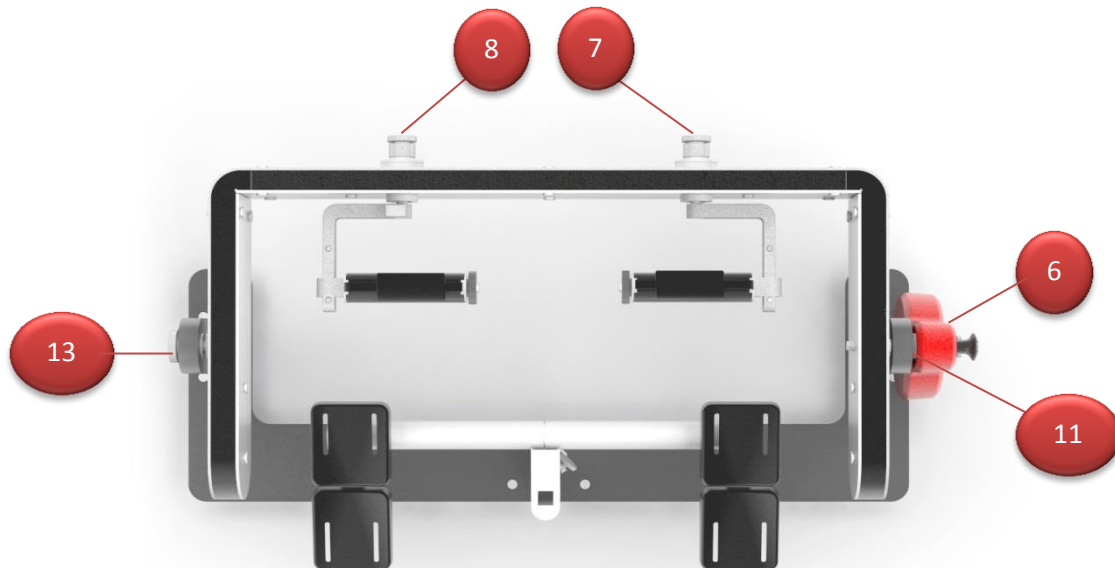
Adjusting the device to perform abduction and adduction exercises is equal to flexion and extension setup described above. Only the position of the handle must be changed (5) from the horizontal into vertical. To set this position the positioning knob must be released (7), the handles placed in the demanded position and the positioning knob locked again (7).



While performing flexion, extension, abduction and adduction exercises the weight (6) cannot be attached to the socket (8)

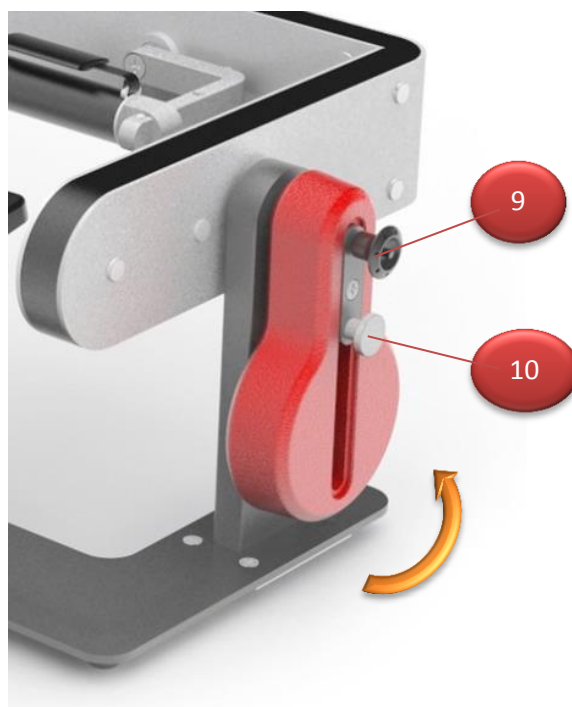
5.2. Rotation of the forearm:

- Adjust the pads (check point 4),
- Lock the positioning knob (13).
- Release positioning knob (7).
- Detach the weight to perform self-assisted exercises (6).
- Attach the weight(6) to the socket (8) to perform the resistance exercises.



5.3. Weight attachment

The weight is used to perform the resistance exercises (6), which according to the place where it is attached, generates a different moment of strength. The weight can be attached in one of two sockets (8) – rotation; (11) – adduction and abduction, flexion and extension:



To detach/move the weight:

- Release the knob (10).
- Press the red button in the positioning pin (9).
- Holding the red button in the positioning pin (9) slide the weight away (6).
- Holding the red button in the positioning pin (9) place the weight in the socket (8) or (11) – dependent on the performed exercise.



The weight can be attached under various angles towards the axis of the positioning pin. It enables to define the direction of the moment of the strenght.

To increase or decrease the weight:

- Release the knob (10).
- Move of flip the weight on the axis of the pin to define the proper weight.



Moving the weight using the knob (10), the value of the moment of the strenght changes, placing it under various angles towards the axis of the positioning pin the direction of the moment of the strength can be defined.

6. WARNINGS

To ensure the highest safety of user's health it is necessary to read and follow the warnings below.



Before usage it is necessary to read the user guide first and definitely follow the terms, advices and warnings.



User guide is also available at www.termamed.pl where tutorial videos are also uploaded.



The only entity allowed to service and technical reviews is a manufacturer TERMA Sp. z o.o. of a service pointed by a manufacturer. The manufacturer is not responsible for any improvement or repairs made by other parties.



In case of any incidents which causes damage on the patient's health, it must be reported immediately to the manufacturer. Additionally, it's advised to fill in such case "Incident application form" and send it by post or e-mail to the manufacturer. The form is a part of a user guide available also at www.termamed.pl in the "Downloads" section.

10. CONTRAINDICATIONS AND RECOMMENDATIONS

In order to ensure the highest comfort and safety during PICTOR device exploitation, please mention the contraindications to the therapy listed below:

1. Changes in the skeletal system, such as: unfused bones, injuries which do not allow for the implementation of the training.
2. If the patient anthropometric conditions do not allow for adjustment of the structure of the device.

It is recommended to use sportswear made of cotton for full range of motion.

11. TECHNICAL DETAILS

Manufacturer:

Terma Sp. z o.o.

Model:

PICTOR

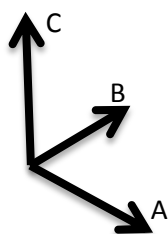
Version:

V.1.0

Class:

Class I, rule I

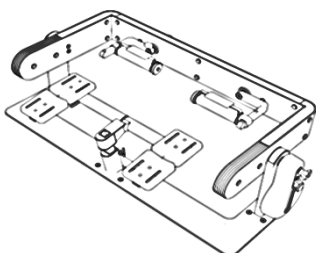
Dimensions:



A = 825 mm

B = 405 mm

C = 275 mm



Ranges:

Zakresy ruchu zginania i prostowania: 85°

Zakresy ruchu odwodzenia i przywodzenia:
55°

Zakres ruchu nawracania i odwracania
przedramienia: 180°

Weight:

20 kg



12. WARRANTY

Terma Sp. z o.o. guarantees good condition and efficient operation of the device mentioned in the Warranty Card, hereinafter referred to as Product, according to the technical and exploitation details described in the user guide. Warranty confirms the responsibility of the entity who introduced the product to the market to free of charge removal of any faults of the product that was sold. The warranty does not limit or suspend buyer's rights resulting from nonconformity of the goods with the contract.

1. The warranty period starts on the day of receipt of the Product and is 24 months for the main structure of the device.
2. The free warranty repair shall be understood as the performance by the Guarantor during the warranty period of the specific activity appropriate for removing the defect covered by the warranty. This warranty covers Product defects caused by defective parts or defects in production. Warranty liability covers only defects caused by the underlying causes of the sale.
3. The condition for the Buyer to use the rights given by warranty is to present at the time of the service request a total of:
 - a. Defective product,
 - b. A proof of purchase.
4. The warranty will be done by the service during 14 working days from the date of acceptance the product to be repaired or from delivering it to the manufacturer's service to the address:

Terma Sp. z o.o.

Czaple 100, 80-298 Gdańsk, Poland

58 694 06 04, serwis-medyczne@termagroup.pl

5. The scope of warranty service does not cover the installation, commission and maintenance activities which, in accordance with the user guide, is required to be performed by the user of the Product on his own. Warranty repairs do not include periodic maintenance and product reviews, and in particular: cleaning, regulation, performance control, correction of operating errors or parameter programming, and other actions that the user is responsible for.

The warranty excludes cases of random damage independent of operating conditions (for example: thefts, accidents, fires, floods) and mechanical damage caused by improper use.

6. The Buyer, by submitting the Product to the Service, and in particular by sending it to third parties, shall provide him with a secure package. Any damage or damage to the Product resulting from its improper packaging shall be covered by the Buyer. Along with the Product, the Buyer shall include the exact description of the defect that causes the need of repair. The person submitting the complaint should provide his / her personal details: name, address, telephone number.
7. Guarantor chooses the best way to remove the defect. The Guarantor undertakes to remove physical defects free of charge by repair or replacement of the Product free of defects. Regardless of how defects are removed, the warranty continues.
8. Any faulty Products or parts exchanged under the guarantee become the property of Terma Sp. o.o.
9. If only a part of the Product is defective and can be detached from the Product in accordance with the technical and operating conditions described in the user guide, the Buyer's right under these Warranty Terms shall be limited to the repair of the defective part of the Product only.
10. The Buyer has the right to exchange the Product for the new one, free from defects, if:
 - a. During the warranty period referred to in Section 1, the Service will carry out five warranty repairs and the Product will still reveal defects that prevent it from being used for its intended purpose, or
 - b. The service will confirm in writing that removal of the defect is impossible.
11. User loses warranty rights in case of:



- a. Statements of unauthorized alerts or corrections in the Guarantee Card made by unauthorized entities.
 - b. Statements made in the Product by unauthorized modifications or adjustments not expressly provided in the operating instructions.
 - c. Statements of attempted repairs and interventions by third parties.
 - d. Statements of use of parts and materials not recommended by the Manufacturer and the Guarantor.
- 12.** The warranty does not support:
- a. Damages caused by improper storage, transportation, failure to perform maintenance, periodic inspection.
 - b. Damages resulting from maintenance and repair work performed by the user in contravention of the user guide.
 - c. Damages caused by the user's fault or ignorance.
 - d. Product damages resulting from natural usage resulting from its use.
 - e. Damage caused by the user's fault or ignorance.
 - f. Damages caused by non-original spare parts or use of materials not intended for use with the Product.
 - g. Products whose Warranty Card or serial numbers have been altered, blurred or removed in any way.
- 13.** Warranty does not cover parts and materials whose consumption is a natural consequence of work, and these are, in particular, consumable items that are clearly consumed during the operation of the Product. Warranty rights do not include the buyer's right to demand the return of the lost profits in connection with the failure and repair of the Product.



INCIDENT APPLICATION FORM

In the event of an incident that results in damage to the equipment or injury to the patient, manufacturer must be immediately reported. After filling the "Incident application form," given below, it should be provided to the manufacturer by e-mail termamed@termamed.pl or posted.

Name of institution:

Address:

Institution contact details:

Contact details of the patient involved in the incident:

Contact person name, surname, e-mail and phone number:

Date of the incident:

Date of the notification:

Description of the incident:

