

TERMA Inclusive roundabout



Inclusion • Fun • Rehabilitation





Product code: WDKAR01

Product designation:

Inclusive roundabout is dedicated to be installed on the playgrounds, parks and private gardens to provide accessible recreation area for the wheelchair users together with the non-disabled users.

Materials:

Construction: black steel profiles coated with epoxy primer and powder coating

Platform: rifled aluminium plate

Backrest/seat: HDPE

Substructure: concrete minimum B-15 class

Dimensions:

External dimensions of the device: diameter 2490 mm

Height of the device from the ground: 1008 mm

Weight without foundation: 600 kg

Free fall height: 433 mm

Safety area: 2000 mm radius from each edge of the platform

Functional area: 29,21m²

Foundation depth: 800 mm below the level ground

Diameters of the main profiles:

Ø 101,6

Ø 60.3

Ø 42.4

60x40 profile

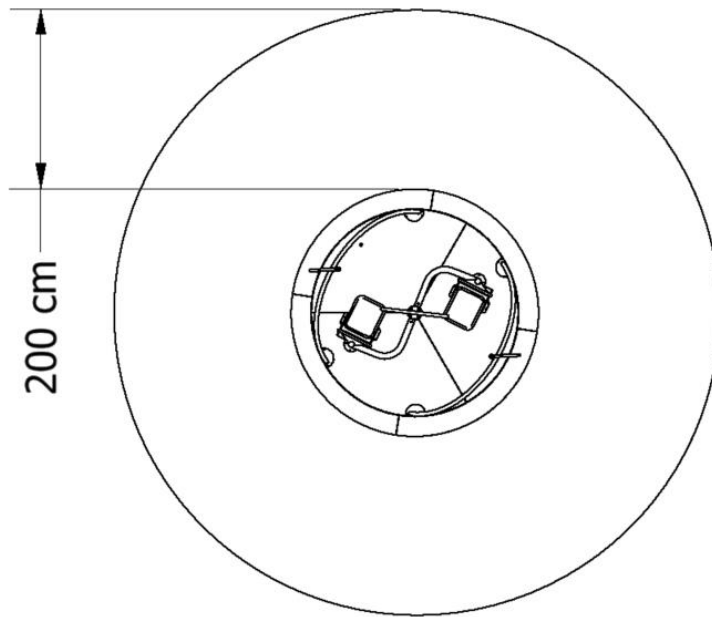


Fig. Inclusion roundabout safety zone.

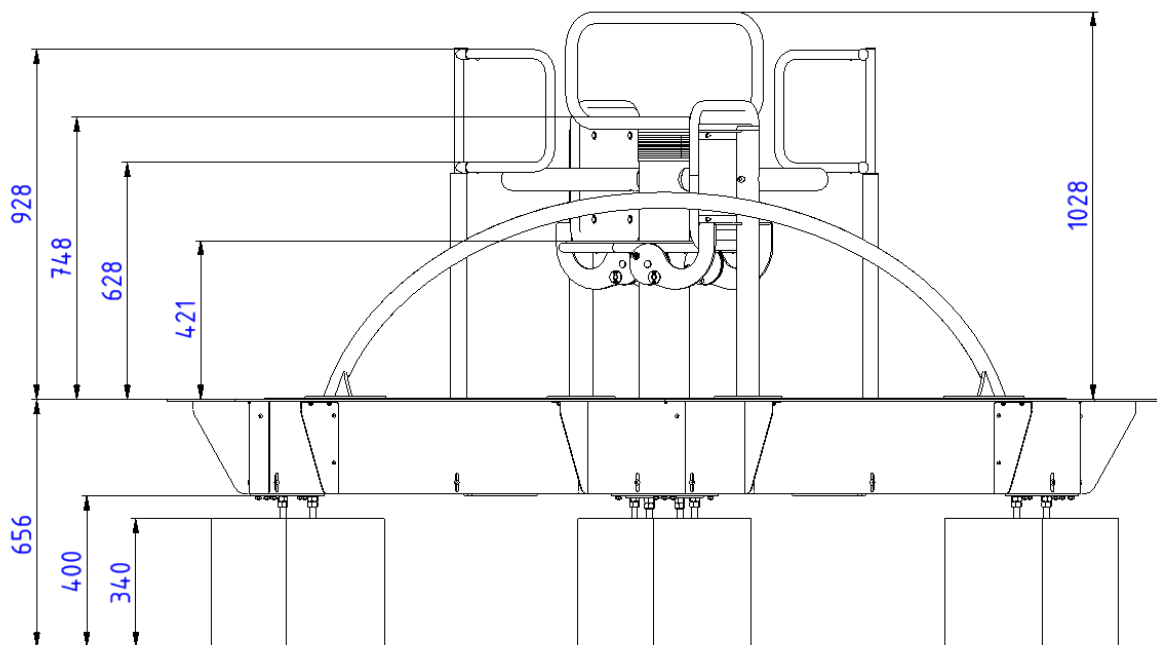
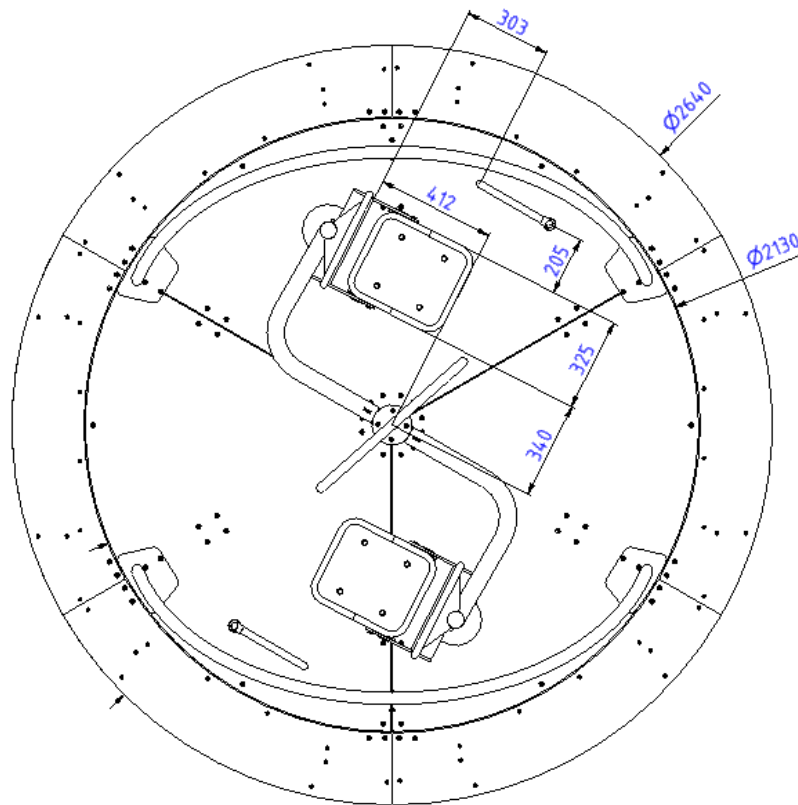


Fig. Roundabout construction and substructure cross section



Safety:

TERMA Inclusive roundabout complies with EN 1176-5 norm.
Maximum load: 300 kg

Installation:

Anchoring to the ground. Amortization layer is needed. Homogeneous surface is necessary.
Make sure to provide appropriate surface surrounding the roundabout for the wheelchair users easy access!

Performance:



The idea of the Inclusive roundabout is to provide environment to integration of wheelchair users with users without impairments. On the platform there is enough space to fit one person on the wheelchair and one person without disabilities. At the same time the roundabout allows self-operation or to be used only by users without disabilities.

The design is accessible to all users, both with disabilities and without.

Manufacturer:



TERMA Sp. z o.o.
Czaple 100, 80-298 Gdańsk
M: +48 / 609 900 451
produktymedyczne@termagroup.pl
www.termamed.pl
www.facebook.com/termaplay