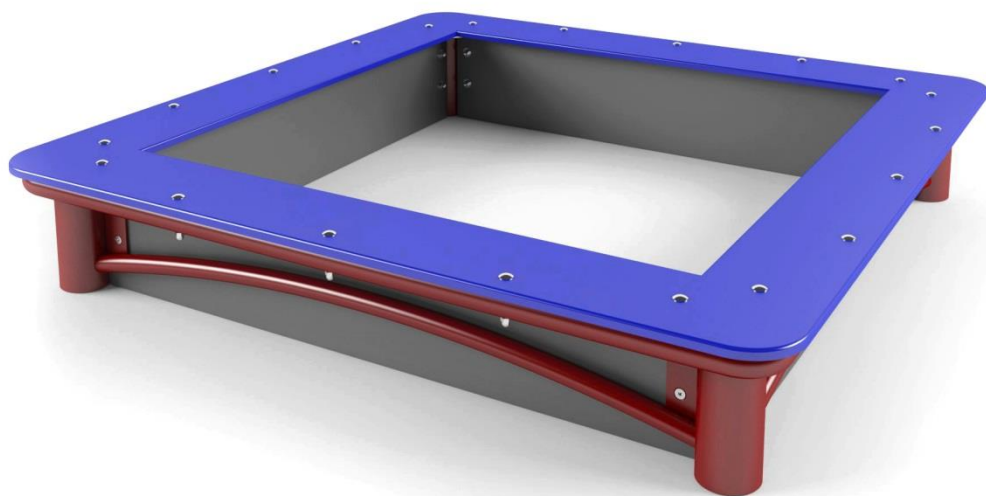


LOW INCLUSIVE SANDBOX



Inclusion • Fun • Rehabilitation





Product code: WDPIA03

Product designation:

Inclusion sandbox is dedicated to be installed on the playgrounds, parks and private gardens. The inclusion is achieved when the sandbox is installed together with the TERMA Elevated inclusion sandbox.

Materials:

Construction: black steel profiles with epoxy primer and powder coating

Side boards: HDPE 10 mm and 15 mm thick

Substructure: concrete minimum B-15 class

Dimensions:

External dimensions: 1410x1410x450 [mm]

Internal dimensions: 1050x1050x240 [mm]

Height from the ground level: 240 mm

Weight (without foundation): 67 [kg]

Thickness of the HDPE: 10 [mm] sides and 15 [mm] seat

External circuit of the legs cross-section: 90 [mm]

Additional information:

Free fall height: none

Dimensions of the safety area: 1500 mm from each outer edge of the device

Foundation depth: 340 [mm]

Functional area: 30,26 m²

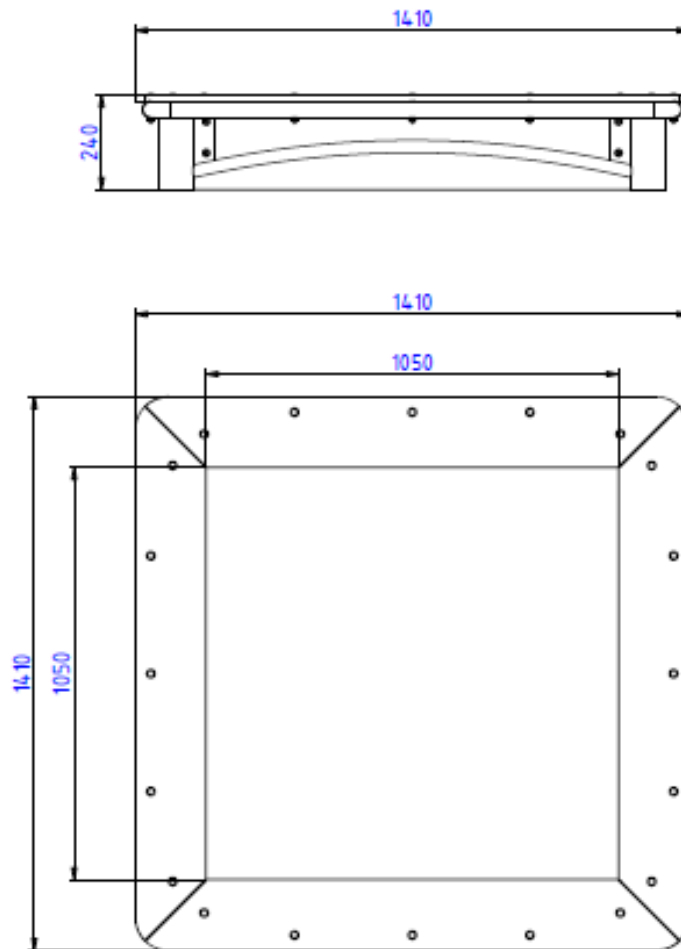


Fig. Dimensions of the low inclusion sandbox

Safety:

The Low inclusion sandbox complies with EN 1176 norm.

Installation:

Anchoring to the ground. Amortization layer is needed. Homogeneous surface is necessary.

Performance:



Low inclusion sandbox is not dedicated for wheelchair user. It can be accessed by users walking independently. It can be provided as a set with elevated integration sandbox.

Manufacturer:



TERMA Sp. z o.o.
Czaple 100, 80-298 Gdańsk
M: +48 / 609 900 451
produktymedyczne@termagroup.pl
www.termamed.pl
www.facebook.com/termamed