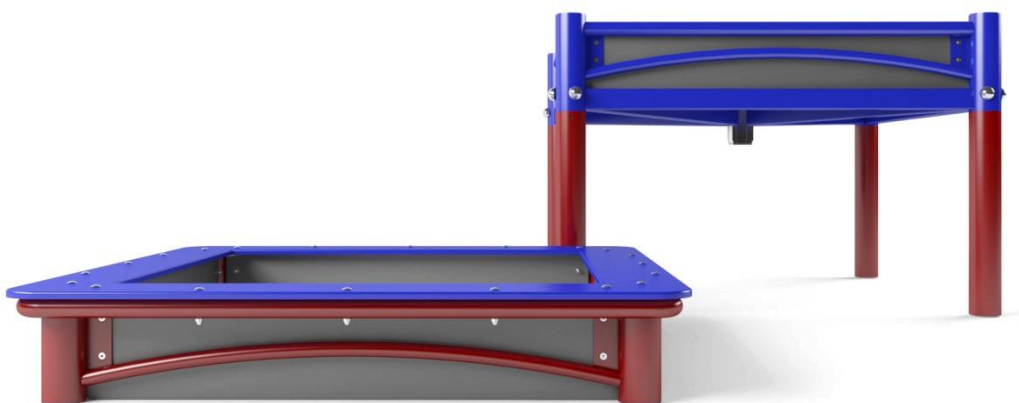


# SET OF INCLUSIVE SANDBOXES



**Inclusion • Fun • Rehabilitation**





**Product code:** WDPIA01

**Product designation:**

Inclusive sandbox set is dedicated to be installed on the playgrounds, parks and private gardens to provide accessible space both, for wheelchair users and non-disabled users together in the same time.

**Materials:**

**Construction:** black steel profiles with epoxy primer and powder coating

**Side boards:** HDPE 10 mm and 15 mm thick

**Bottom of elevated sandbox:** steel plate 1,5 mm thick with epoxy primer and powder coating

**Substructure:** concrete minimum B-15 class

**Dimensions:**

**External dimensions of the low sandbox:** 1410x1410x450 [mm]

**External dimensions of the elevated sandbox:** 1360x1360x1080 [mm]

**Internal dimensions of the low sandbox:** 1050x1050x240 [mm]

**Internal dimensions of the elevated sandbox:** 1148x1148x220 [mm]

**Low sandbox height from the ground level:** 240 mm

**Elevated sandbox height from the ground level:** 880 mm

**Low sandbox weight (without foundation):** 67 [kg]

**Elevated sandbox weight (without foundation):** 117 [kg]

**Thickness of the HDPE:** 10 [mm] sides and 15 [mm] seat

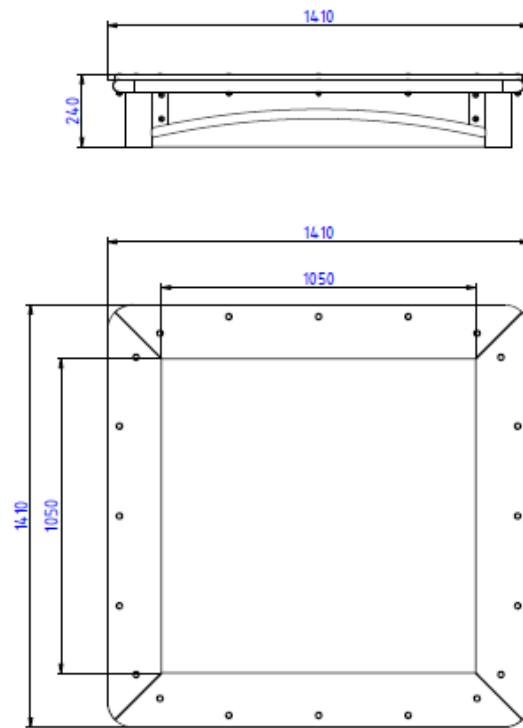
**External circuit of the legs cross-section:** 90 [mm]

**Additional information:**

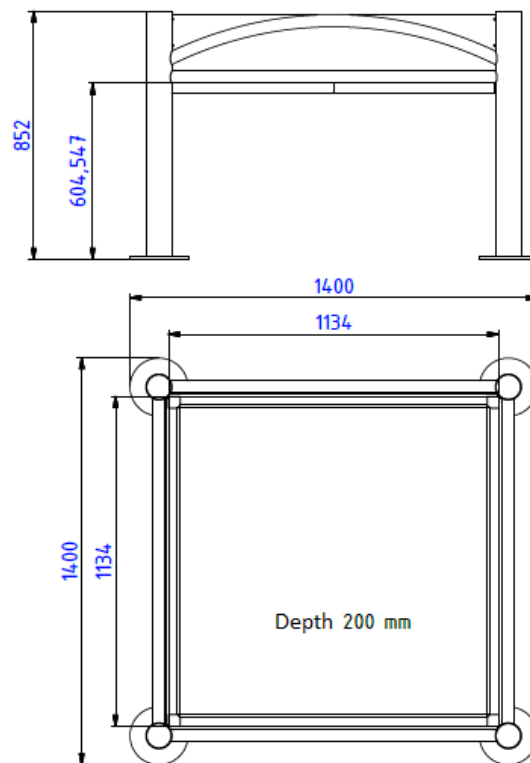
**Free fall height:** none

**Functional area dimensions:** depends on the configuration of the sandboxes. 1500 mm from the each external edge of the device.

**Substructure depth:** 340 [mm]



*Fig. Dimensions of the low inclusive sandbox.*

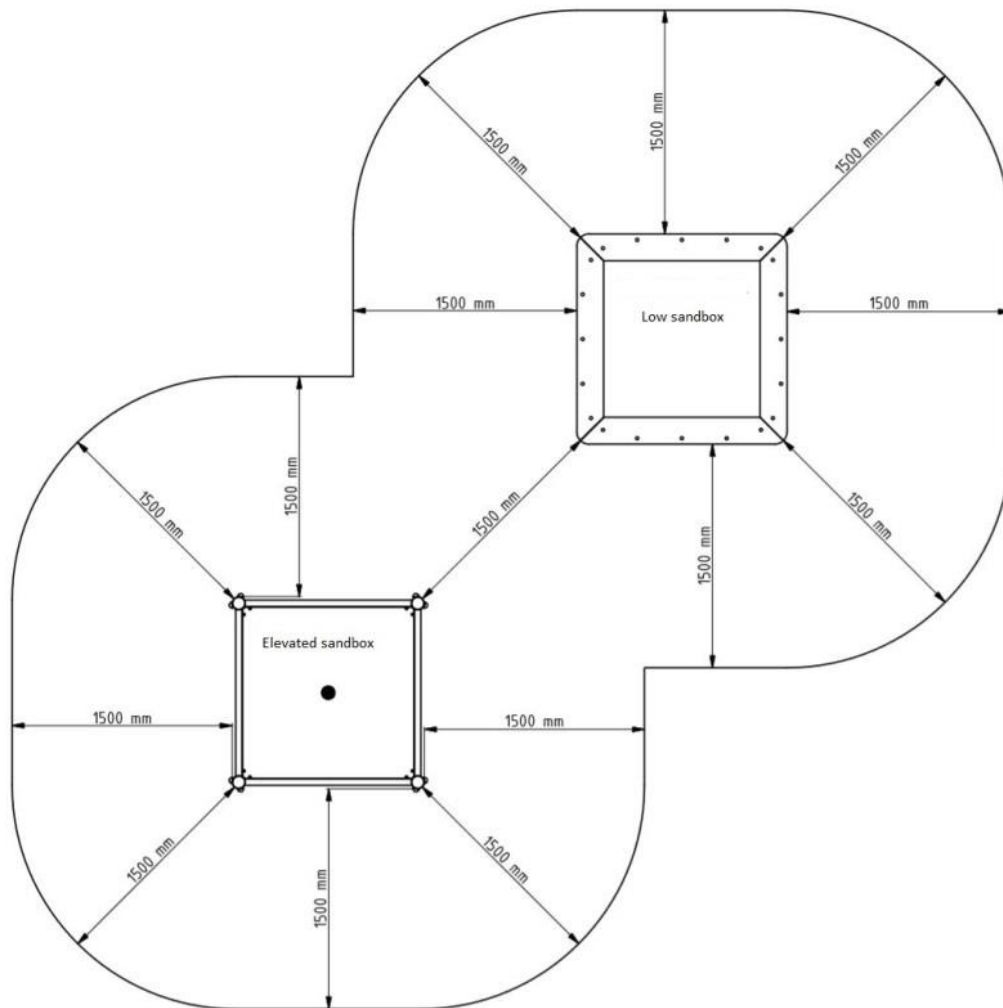


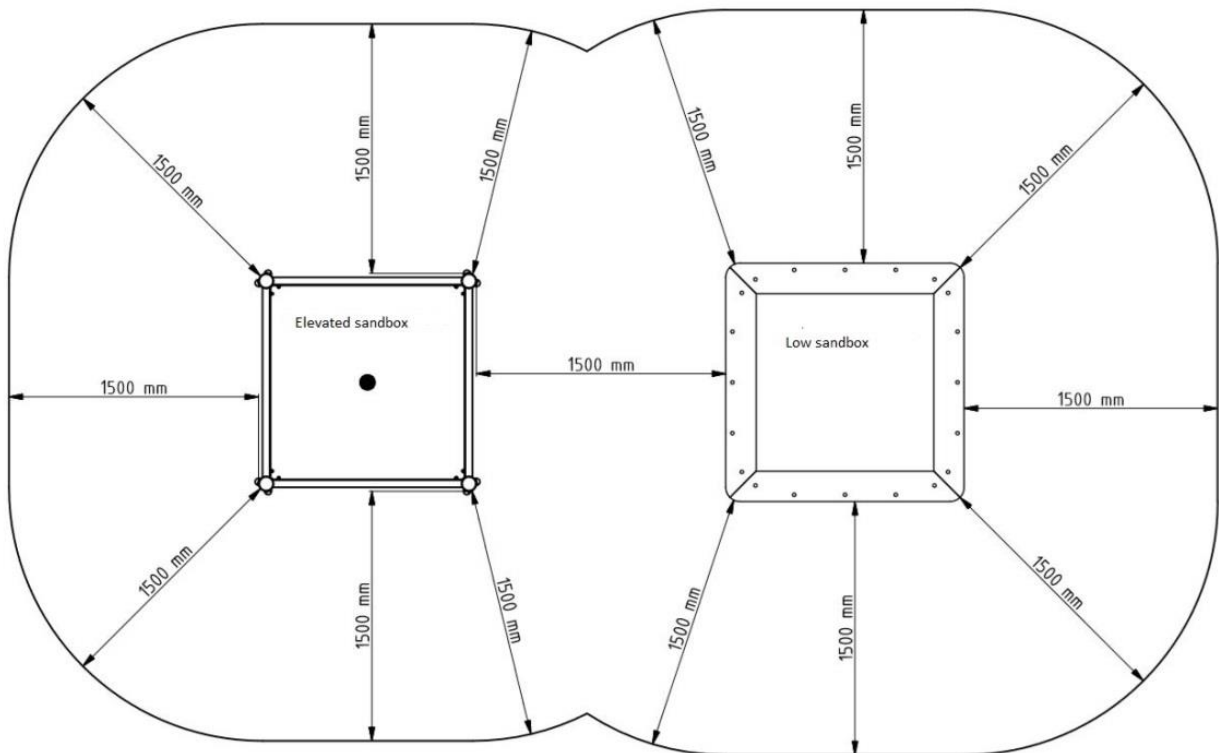
*Fig. Dimensions of the elevated inclusive sandbox.*

**Safety:**

The set of inclusive sandboxes complies with EN 1176 norm.

Recommended setting of the sandboxed is presented on the drawing below. It's necessary to pay special attention to provide the space between the sandboxes to eliminate the risk of climbing and entering the bowl of the elevated sandbox by the users which can be a danger.





**Installation:**

Anchoring to the ground. Amortization layer is needed. Homogeneous surface is necessary.

**Performance:**



Set of inclusive sandboxes is designed to provide environment to integration of wheelchair users with users without impairments.

Make sure to provide appropriate surface surrounding the roundabout for the wheelchair users easy access!

**Manufacturer:**



**TERMA Sp. z o.o.**  
Czaple 100, 80-298 Gdańsk  
M: +48 / 609 900 451  
[produktymedyczne@termagroup.pl](mailto:produktymedyczne@termagroup.pl)  
[www.termamed.pl](http://www.termamed.pl)  
[www.facebook.com/termaplay](https://www.facebook.com/termaplay)