

Inclusive Seesaw TERMA



Inclusion • Fun • Rehabilitation



Product code: WDHUS05

Designation: TERMA Inclusive Seesaw is dedicated to be installed on the playgrounds, parks and private gardens to provide accessible recreation area for the wheelchair users together with the non-disabled users.

Materials:

Construction: black steel profile with epoxy primer and powder coated

Platform floor: HPL board

Foundation: concrete minimum B-15 class

Dimensions and parameters:

External dimensions: 4074x1001x2450 mm

Maximum platform lift for walking users from the ground level: 793 mm

Maximum platform lift for wheelchair users from the ground level: 350 mm

Maximum height of the device from the ground level: 1600 mm

Wheelchair platform internal dimensions: 1100x773 mm

Walking users platform internal dimensions: 2409x510 mm

Weight: 520 kg

Functional area dimensions: 1500 mm from each external edge of the device

Functional area: 24,75m²

Free fall height: none

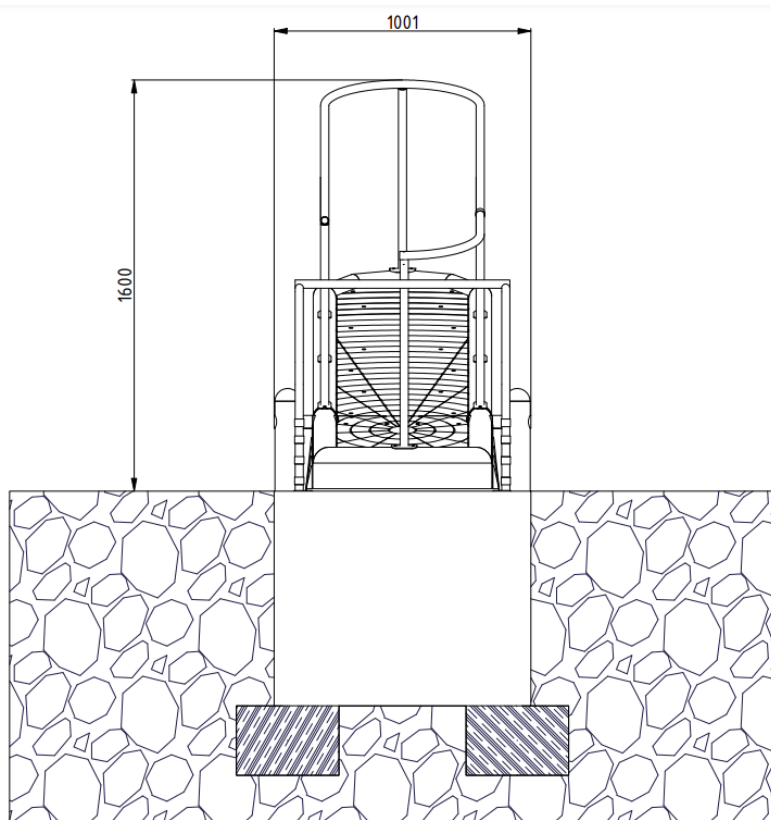
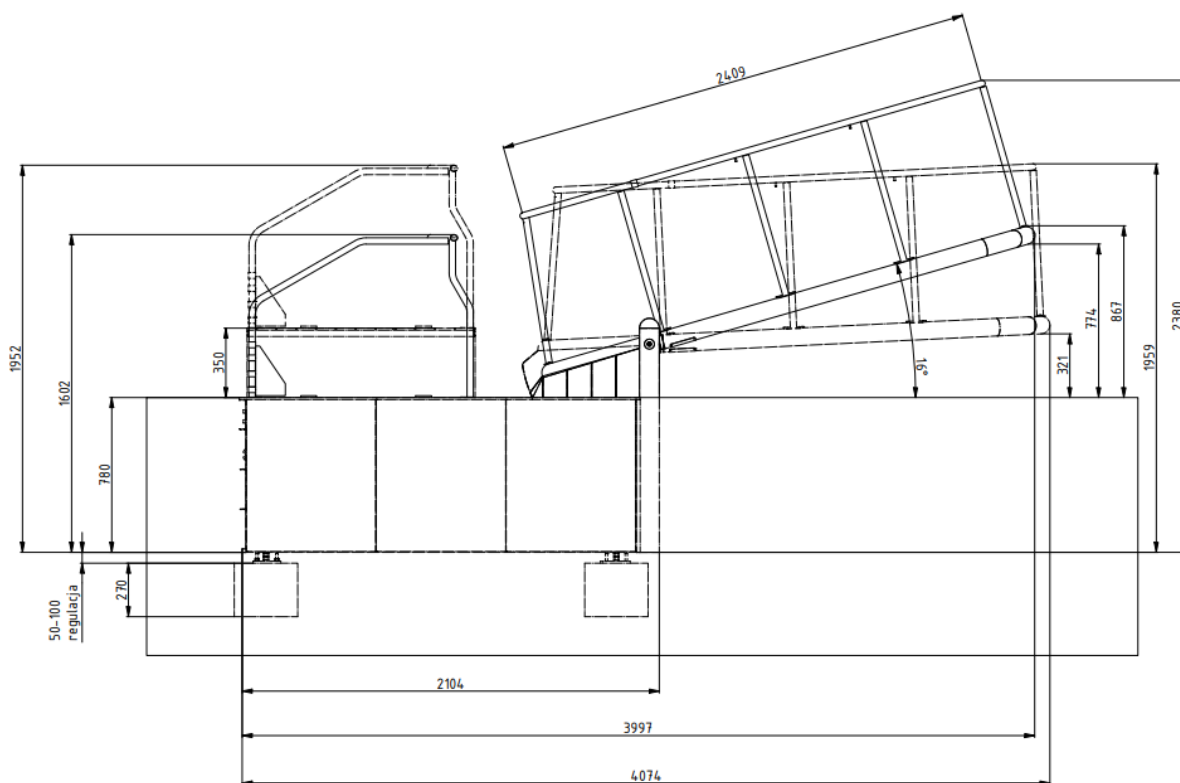
Foundation depth: 776 mm

Diameter of the main profiles:

Ø 88,9

Ø 32

Ø 100



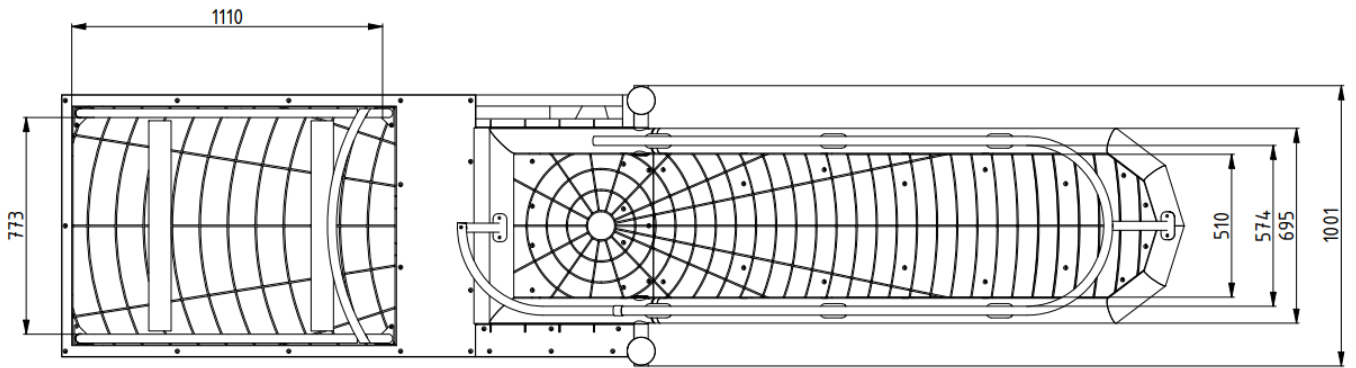


Fig. Dimensions of the Inclusive Seesaw

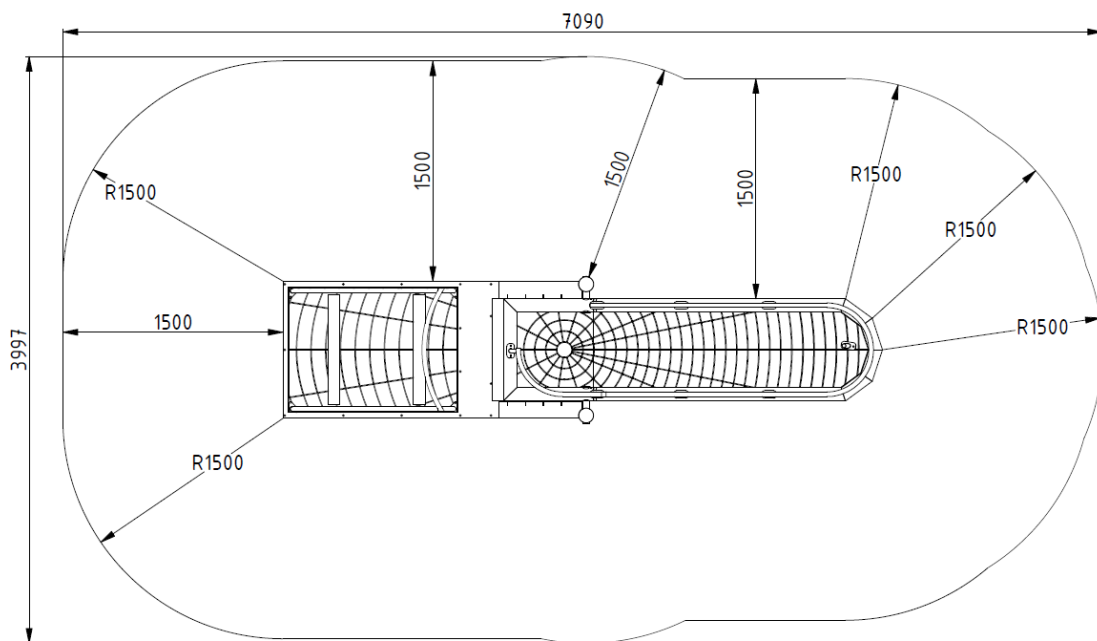


Fig. Safety area dimensions



Safety:

Inclusive Seesaw complies with EN 1176.

Maximum number of people allowed to be on the swing at any one time:

- 1 walking user + 1 person in a wheelchair
- 2 walking users + 1 person in a wheelchair
- 4 walking users

Maximum load on the platform for wheelchairs: 200 kg

Maximum load on the platform for walking users: 300 kg

Installation:

Anchoring to the ground. Amortization layer is needed. Homogeneous surface is necessary.

Make sure to provide appropriate surface surrounding the roundabout for the wheelchair users easy access!

Features of use:

TERMA Inclusive Seesaw makes it possible to integrate people with different levels of ability in the playground. The device can be used by a person without disabilities and people in a wheelchair or with intellectual disabilities or vision problems. The device allows children to play with their peers, siblings, parent or carer. The device allows to have fun with a form of therapy at the same time based on the vestibular therapy.

The device enables contact with a disabled person while having fun together. It has no barriers to access, both physical and cognitive.

No outside help is needed to use the device. Only people on the device can operate the swing. The movable combination of the platform for a disabled person in a wheelchair with the platform for an able-bodied person allows the platform for a wheelchair user to maintain the same position in relation to the ground. This affects the safety of use because it reduces the risk of falling off the platform while playing. The device also has an additional structure that prevents the stroller from moving while swinging.

The project fits into the assumptions of universal design, available to all potential users.

Manufacturer:



TERMA Sp. z o.o.

Czaple 100, 80-298 Gdańsk

M: +48 / 609 900 451

produktymedyczne@termagroup.pl

www.termamed.pl

www.facebook.com/termamed