



Product code: WDTAB06

Product designation:

Inclusive Abacus 2 Play Panel is a device dedicated to playgrounds, outdoor gyms, parks and private green areas in order to ensure the possibility of playing for able-bodied people and users with disabilities, including wheelchair users. The device complies with the PN-EN 1176 standard.

Materials:

Construction: black steel profile with epoxy primer and powder coated

Cubes: HDPE board 12 mm thick, ABS board

Foundation: concrete minimum B-15 class

Dimensions:

Device external dimensions: 1605 x 1468 mm x 155 mm

Total height of the device measured from the ground level: 1405 mm

The distance of the board from the ground level: 698 mm

Number of the geometric elements in each row: 10

Number of rows: 3

Other dimensions of the device:

Free fall height: none

Weight (without foundation): 40 kg

Safety area dimensions: 1500 mm from each edge of the device

Safety area: 14,1 m²

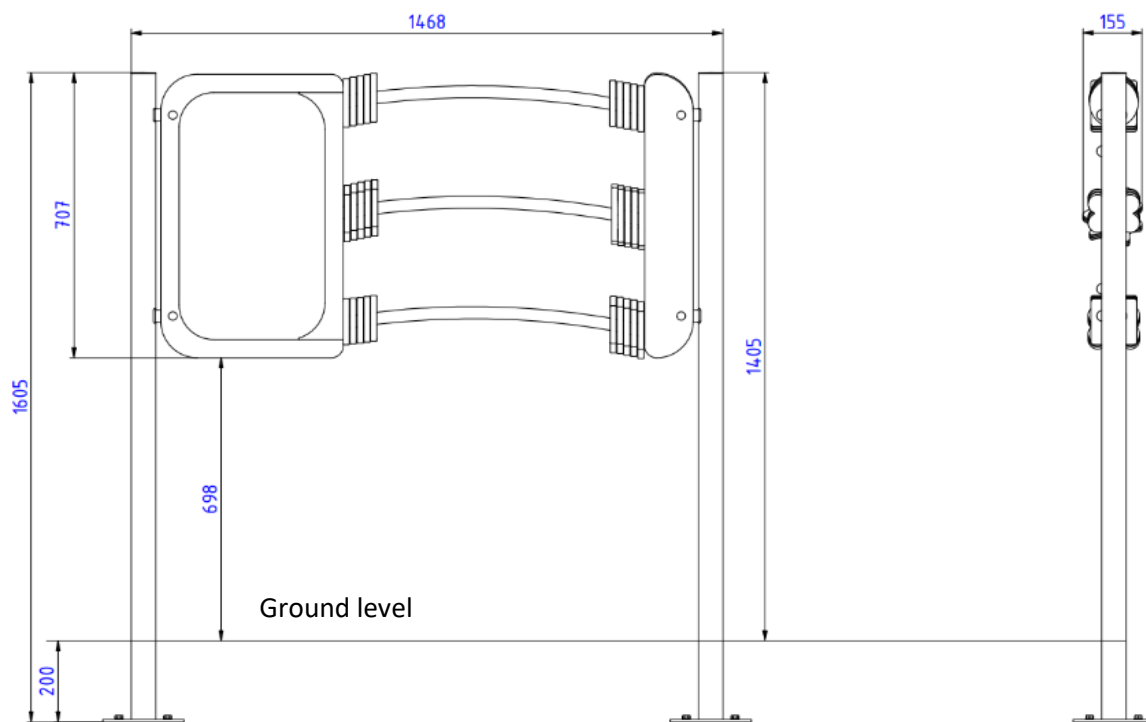
Foundation depth: 540 mm

Dimension of the longest element:

Main construction: 1605 x 1467 mm x 150 mm

The weight of the heaviest element:

Main construction: 40 kg



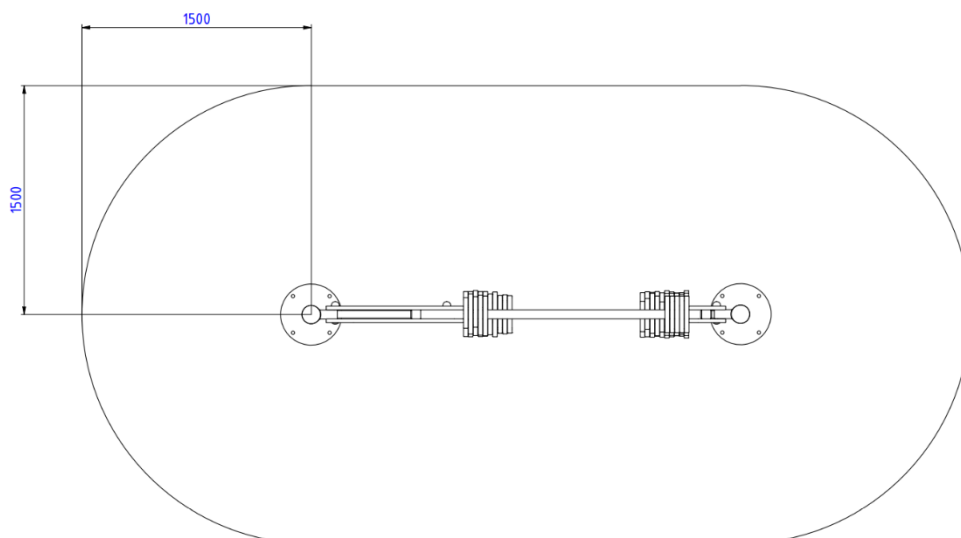


Fig. Dimensions of the safety area

Safety:

Inclusive Abacus 2 Play Panel complies with EN 1176.

Installation:

Anchoring to the ground. Amortization layer is needed. Homogeneous surface is necessary. Make sure to provide appropriate surface surrounding the roundabout for the wheelchair users easy access!

Features of use:

TERMA Inclusive Abacus Play Panel make it possible to integrate people with different levels of ability in the playground. The device can be used by a person without disabilities and people in a wheelchair or with intellectual disabilities or vision problems. The device allows children to play with their peers, siblings, parent or guardian. The device allows to have fun with a form of therapy at the same time, depending on the selected graphics and, therefore, the level of difficulty.

The device enables contact with a disabled person while having fun together. It has no barriers to access, both physical and cognitive.

The project fits into the assumptions of universal design, available to all potential users.

TERMA Inclusive Abacus 2 Play Panel visually refers to the style of playground equipment, at the same time it is attractive in design.

Manufacturer:



TERMA Sp. z o.o.
Czaple 100, 80-298 Gdańsk, Poland
M: +48 / 609 900 451
produktymedyczne@termagroup.pl
www.termamed.pl
www.facebook.com/termaplay