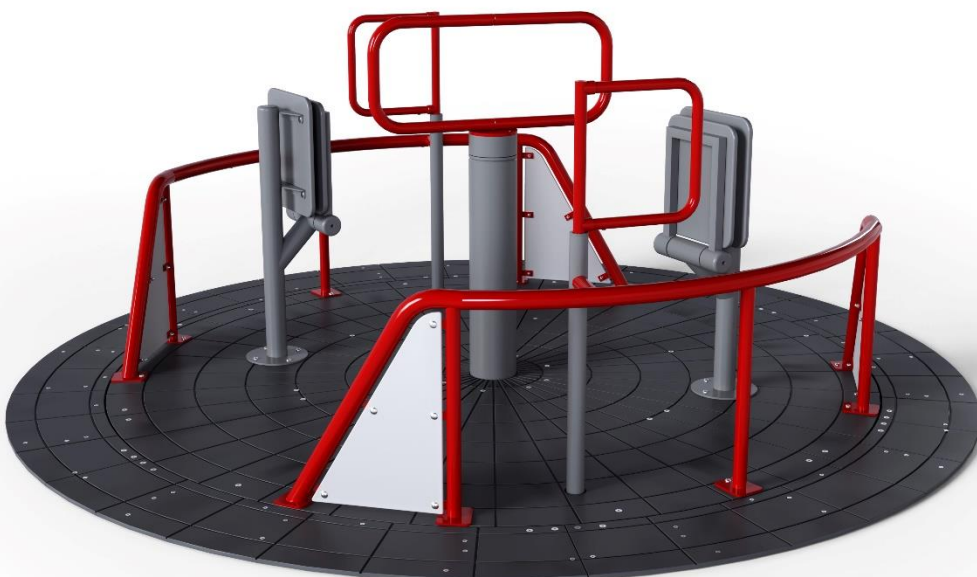


TERMA Inclusive roundabout



Inclusion • Fun • Rehabilitation



Product code: WDKAR01

Product designation:

Inclusive roundabout is dedicated to be installed on the playgrounds, parks and private gardens to provide accessible recreation area for the wheelchair users together with the non-disabled users.

Materials:

Construction: steel profiles with epoxy primer, painted and powder coated, stainless steel elements

Platform: HPL board

Backrest and the seat: HDPE board

Foundation: concrete min B-15 class

Dimensions:

External device dimensions: diameter 2640 mm

Device height from the ground: 1013 mm

Device weight without substructure: 509 kg

Free fall height: 409 mm

Safety zone area dimensions: 2000 mm radius from each edge of the platform

Functional area: 29,21m²

Foundation depth: minimum 660 mm below the ground level

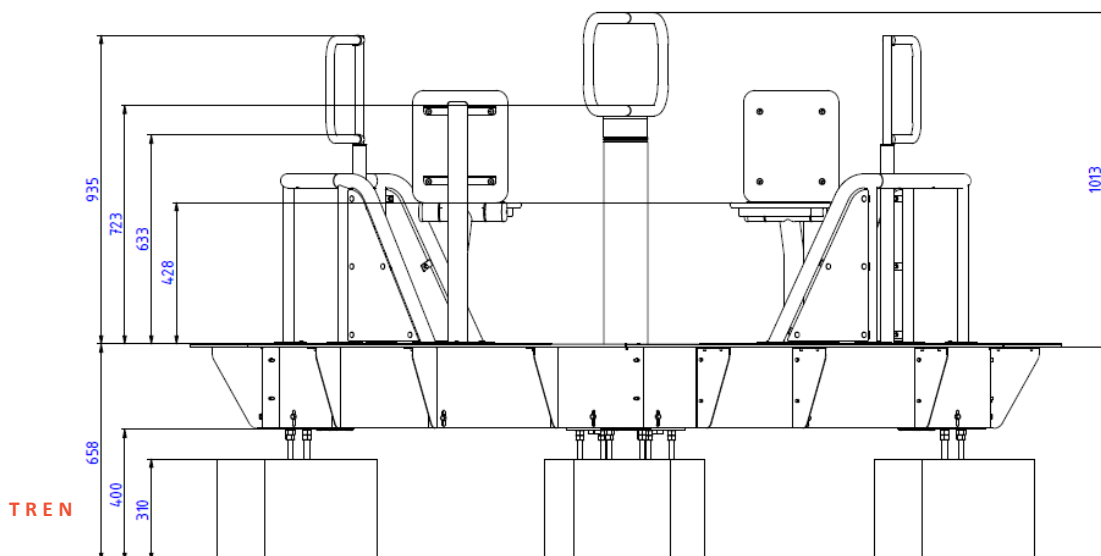
Diameters of the main profiles:

Ø 101,6

Ø 60,3

Ø 42,4

60x40 profile



Ground level

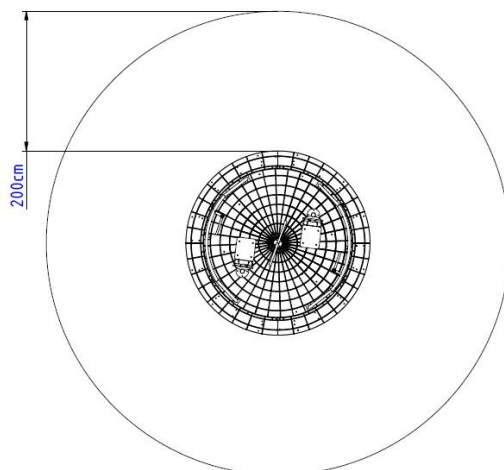
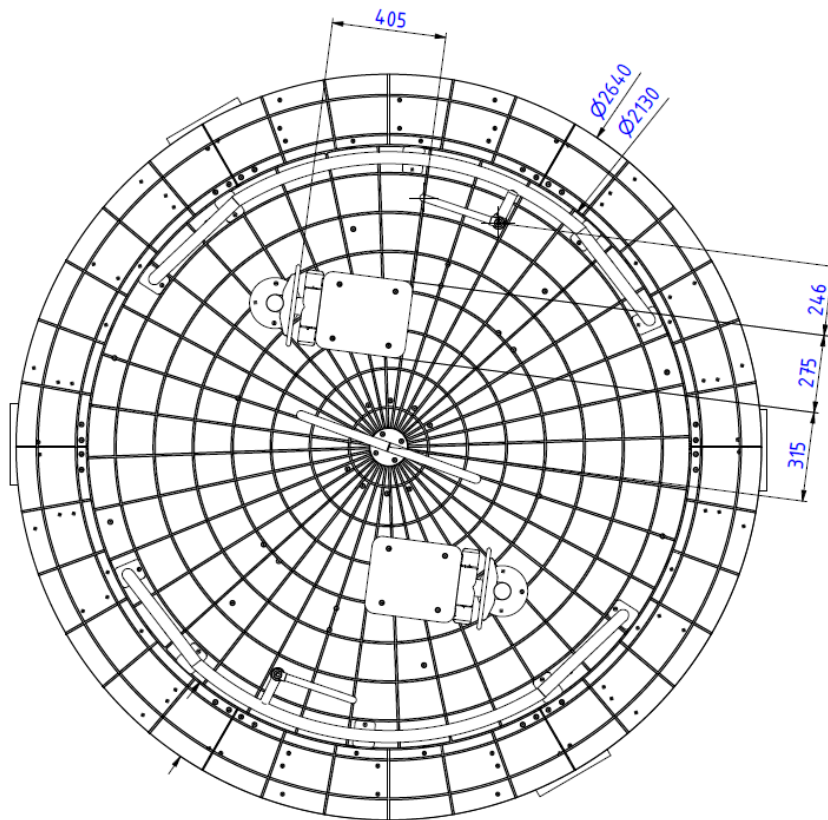


Fig. Inclusion roundabout safety zone.

Safety:

TERMA Inclusive roundabout complies with EN 1176-5 norm.

Maximum load: 300 kg

Installation:

Anchoring to the ground. Amortization layer is needed. Homogeneous surface is necessary.

Make sure to provide appropriate surface surrounding the roundabout for the wheelchair users easy access!

Performance:



The idea of the Inclusive roundabout is to provide environment to integration of wheelchair users with users without impairments. On the platform there is enough space to fit one person on the wheelchair and one person without disabilities. At the same time the roundabout allows self-operation or to be used only by users without disabilities.

The design is accessible to all users, both with disabilities and without.

Manufacturer:



TERMA Sp. z o.o.

Czaple 100, 80-298 Gdańsk

M: +48 / 609 900 451

produktymedyczne@termagroup.pl

www.termamed.pl

www.facebook.com/termaplay