

TERMA Inclusive Spinning Wheel



Fun • Accessibility • Rehabilitation





Product code: WDKOL01

Product designation:

TERMA inclusive spinning wheel is dedicated to be installed at playgrounds, outdoor gyms, parks or home gardens. The device is accessible to all users – with disabilities and without. It can be used by both groups at the same time to provide real inclusion.

Materials:

Construction: black steel profiles coated with epoxy primer and powder coating

Platform: HPL board

Substructure: concrete minimum B-15 class

Dimensions:

External device dimensions: 3105x2484x1352 mm

Device height from the ground level: 2484 mm

Device weight without substructure: 450 kg

Free fall height: none

Safety zone area dimensions: 1500 mm distance from each edge of the platform

Foundation depth: 940 – 1000 mm below the ground level, regulated on the height adjustment foot

Additional information:

Free fall height: none

Safety area dimensions: 1500 mm from each outer edge of the device

Functional area: 24,64m²

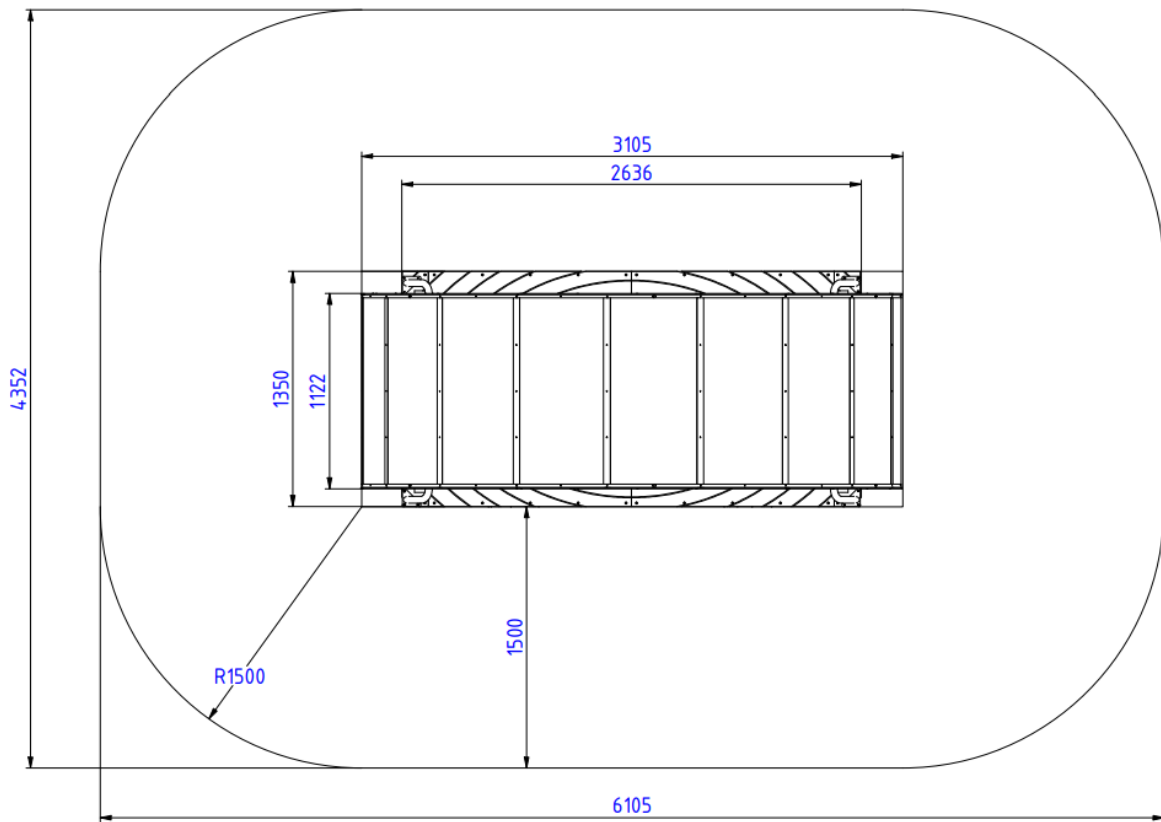
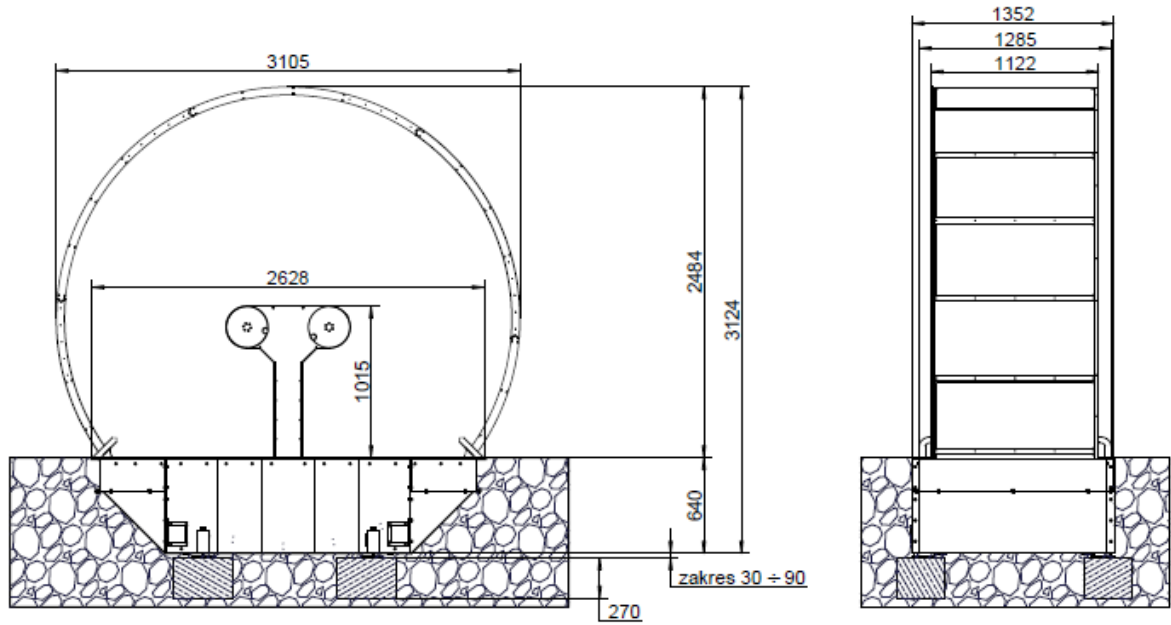


Fig. TERMA Inclusive spinning wheel dimensions with the safety zone

Safety:

TERMA Inclusive spinning wheel complies with EN 1176 norm.
Maximum allowed weight of users on the platform: 500 kg

Installation:

Inclusive spinning wheel is installed on concrete blocks. The impact attenuating layer is not required.

Performance:



The Inclusive Spinning Wheel focuses on the idea of integration. The possibility of simultaneous play of a person with a disability (resulting in moving around in a wheelchair or intellectual disability) and a non-disabled person makes it possible to play with peers, siblings, parents or guardians. The device is activated by the muscles of the users using rotors, thanks to which a large wheel begins to rotate. In a situation where a user in a wheelchair is unable to start the reel, then a non-disabled person can take over this function. They can also spin the reel together and play together.

The device is in line with the assumptions of universal design, i.e. accessible to all potential users, both able-bodied and disabled. The device has no access barriers, both physical and cognitive. The TERMA Inclusive Spinning Wheel gives the possibility of physical and social rehabilitation.

Manufacturer:



TERMA Sp. z o.o.
Czaple 100
80-298 Gdansk, Poland
M: +48 / 609 900 451
produktymedyczne@termagroup.pl
www.termamed.pl
www.facebook.com/termaplay