



Product code: WDPIA02

Product designation:

Inclusive elevated sandbox is dedicated to be installed on the playgrounds, parks and private gardens to provide accessible space both, for wheelchair users and non-disabled users together in the same time.

Materials:

Construction: black steel profiles with epoxy primer + powder coating

Side boards: HDPE 10 mm thick

Bottom of sandbox: steel plate 1,5 mm thick with epoxy primer + powder coating

Substructure: concrete minimum B-15 class

Dimensions:

External dimensions: 1360x1360 [mm]

Internal dimensions: 1148x1148 [mm]

Height from the ground level: 879 mm

Weight (without foundation): 117 [kg]

Thickness of the HDPE: 10 [mm]

External circuit of the legs cross-section: 90 [mm]

Depth of the box: 192 [mm]

Additional information:

Free fall height: none

Safety zone dimensions: 1500 mm from the each external edge of the device.

Substructure depth: 340 [mm]

Functional area: 30,26 m²

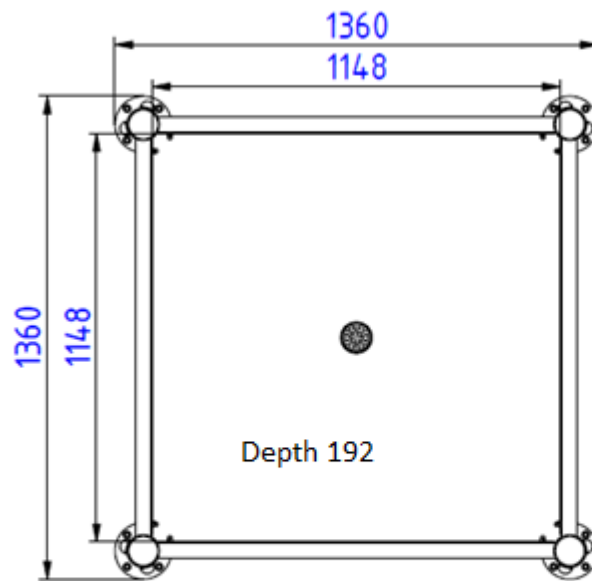
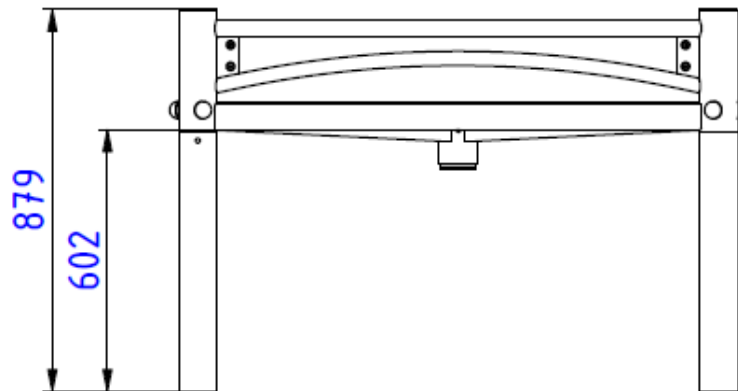


Fig. Dimensions of the elevated inclusive sandbox.

Safety:

Elevated inclusive sandbox complies with EN 1176 norm.

Installation:

Anchoring to the ground. Amortization layer is needed. Homogeneous surface is necessary.

Performance:



Elevated inclusive sandbox is dedicated for wheelchair user together with users without impairments. Make sure to provide appropriate surface surrounding the inclusive elevated sandbox easy to access for the wheelchair users!

Manufacturer:



TERMA Sp. z o.o.
Czaple 100, 80-298 Gdańsk
M: +48 / 609 900 451
produktymedyczne@termagroup.pl
www.termamed.pl
www.facebook.com/termaplay